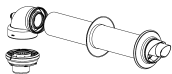
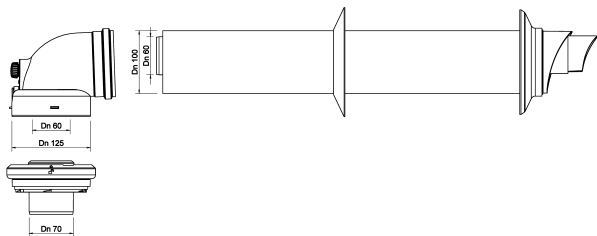


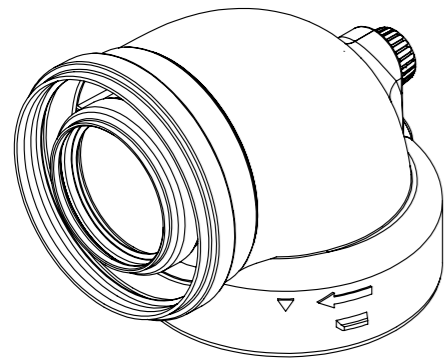
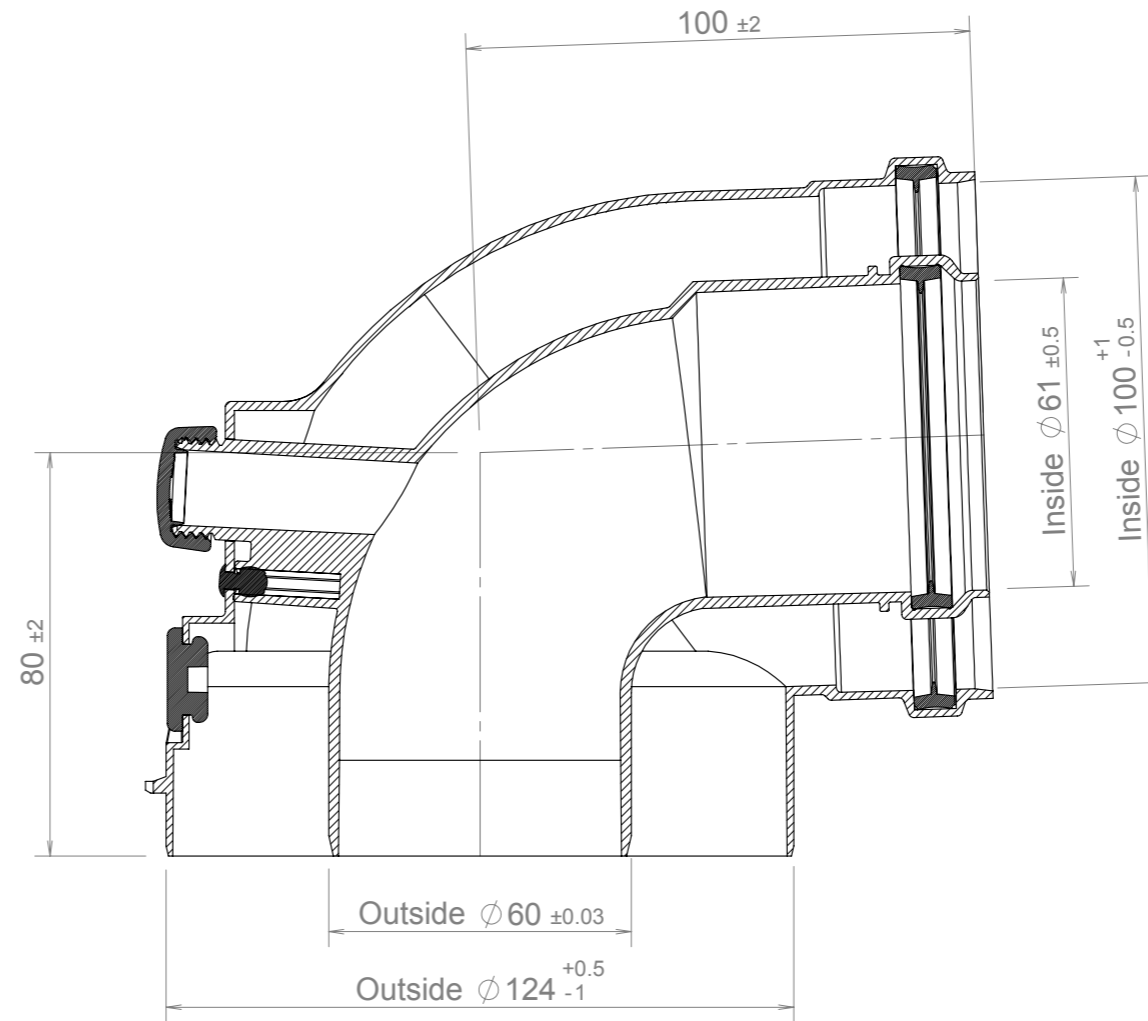
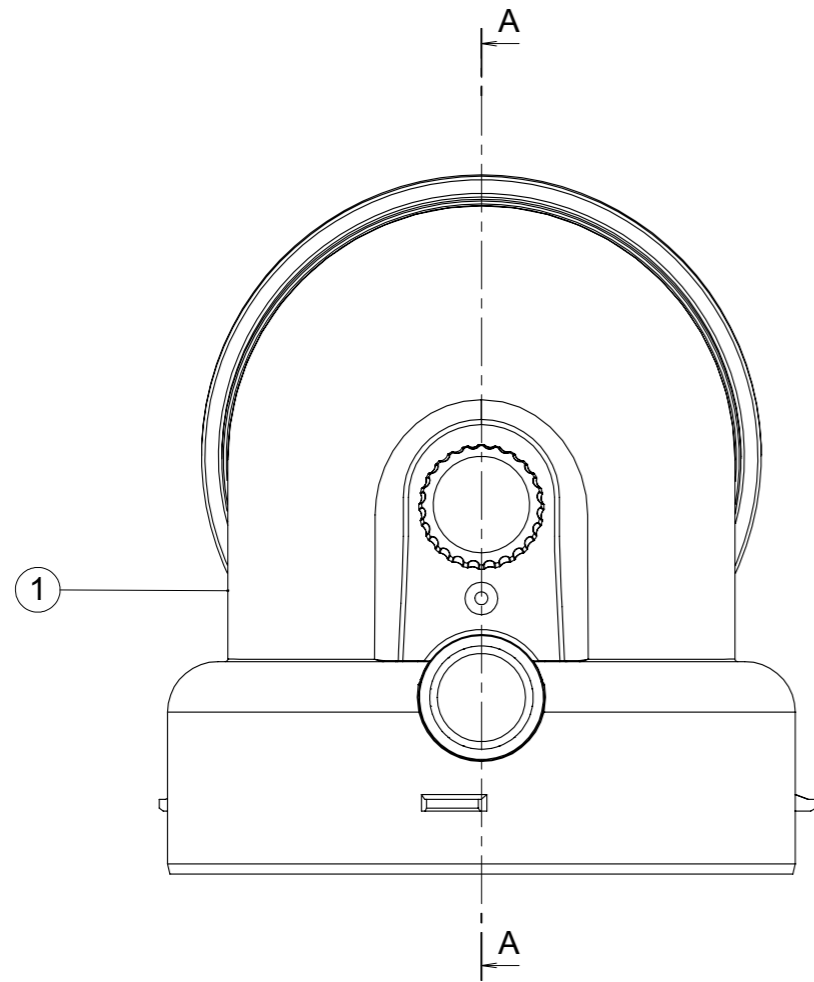
# EKFGP1293

Wall terminal kit low profile PP/GLV 60/100





REV.NR.	REVISION DESCRIPTION	BY	PROJ. NR.	DATE
1	Art.nr. toegevoegd	JWO	9428	24/10/2011
0	First Release	JWO	9428	05/07/2011

SECTION A-A

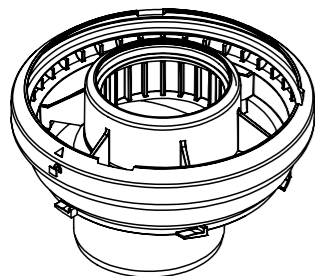
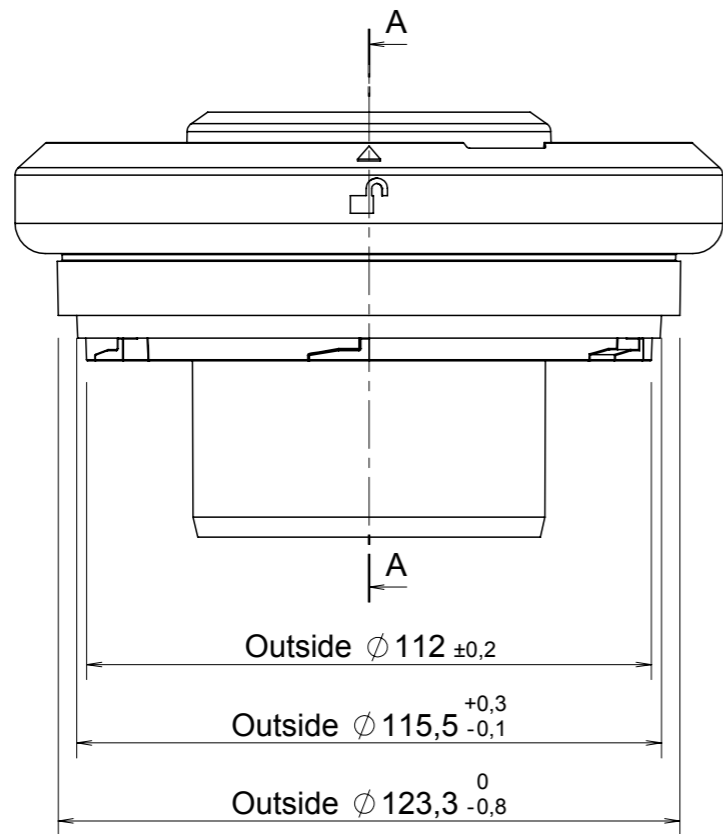
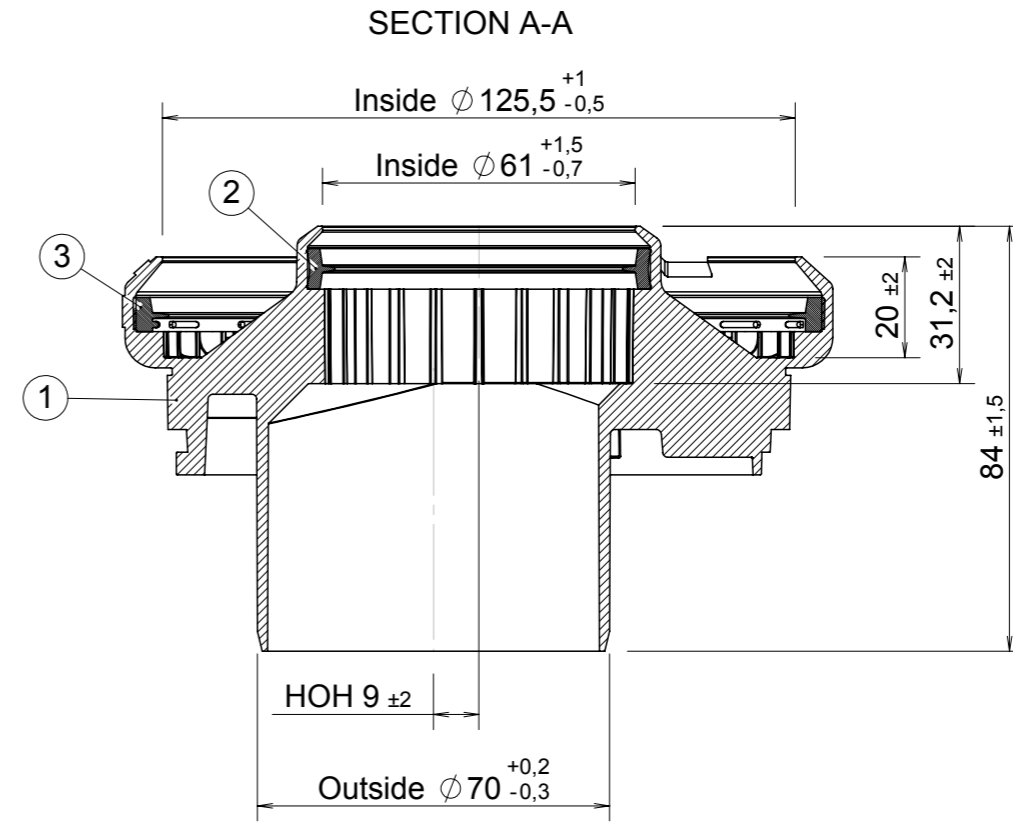
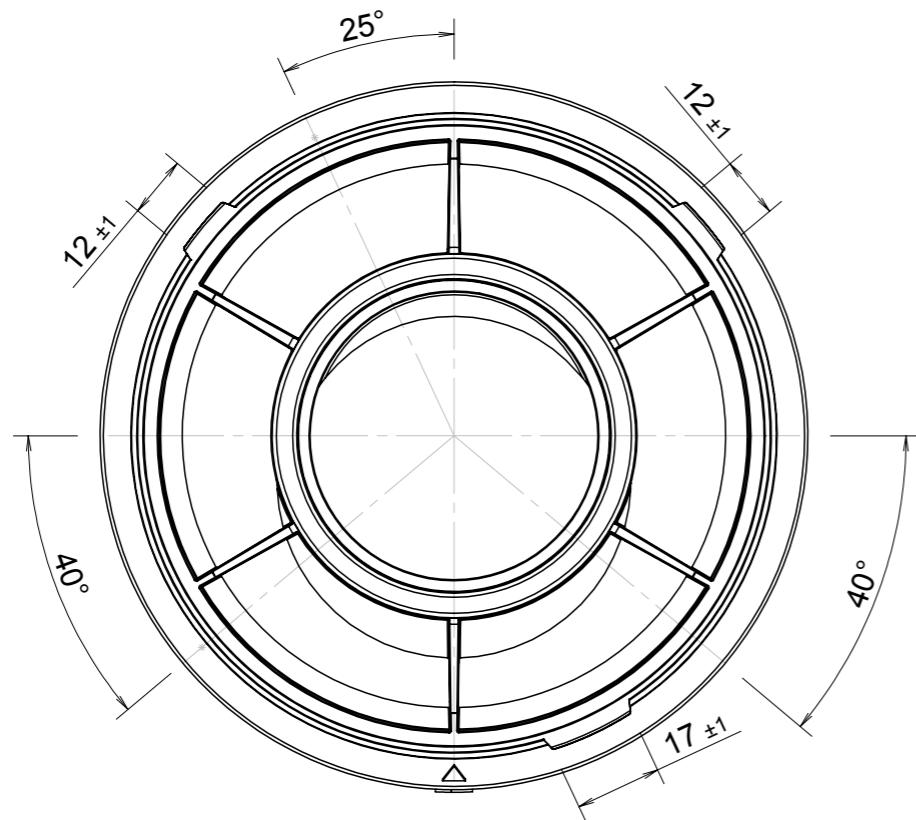


1	1	2LS BOCHT + RAD PP/AL 60/100 TBV ADAPTER	07 2501	50.009.82.77
<b>POS.</b>	<b>QTY.</b>	<b>DESCRIPTION</b>	<b>DRW.NR.</b>	<b>ART.NR.</b>

DESCRIPTION	<b>HRE BOILER ELBOW 60/100 90° +MEASURING POINTS</b>			<b>DEFINITIVE</b>
REMARK				

 <small>ALL RIGHTS RESULTING FROM THIS DESIGN, ARE RESERVED TO THE M&amp;G GROUP.</small>	DRAWN	jwo	Units in mm. Tolerances:(unless otherwise specified) Holes: ± 0.1, Angle: ±1°, Other: ± 1.0 	TOOL.NR.	-	MATERIAL	PP/AL.
	DATE	20/12/2007		SCALE	1:1.5	SPEC. NR.	
	PROJ. NR.	9480		SHEETSIZE	A3	DRAW.NR.	<b>07 2946 1</b>
	CHECKED	JWK		SHEET NR.	1 / 1	ART.NR.	<b>41.008.12.91</b>

REV.NR.	REVISION DESCRIPTION	BY	PROJ. NR.	DATE
0	First Release	JWO	9428	06/07/2011



**INTERGAS ARTIKEL NR: 847137.01**

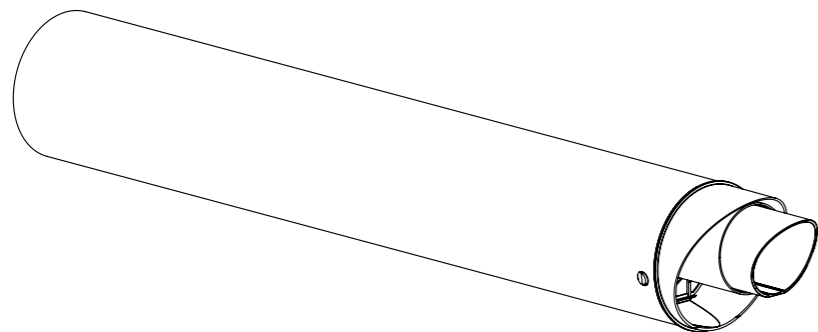
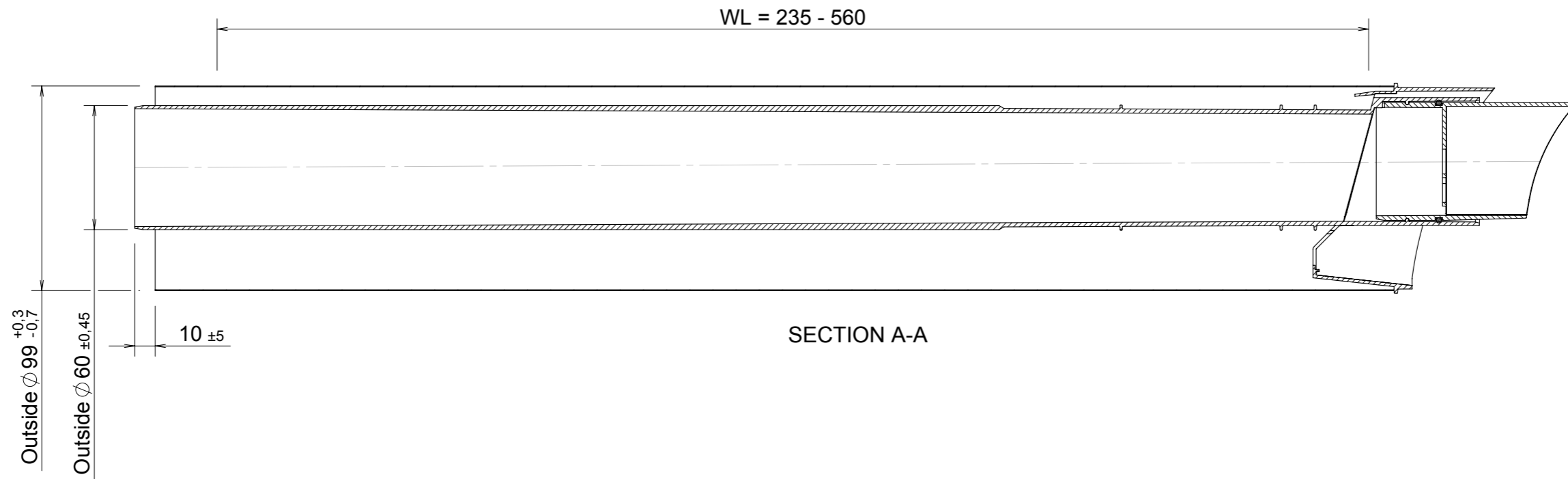
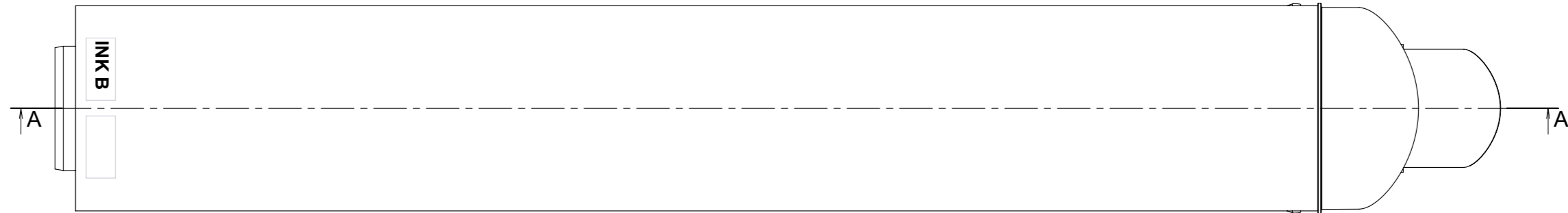
POS.	QTY.	DESCRIPTION	DRW.NR.	ART.NR.
3	1	PR. RING 1-LIPS EVOPRENE 125 L.GRIJS	98 0326	50.002.72.36
2	1	PR-RING 1-LIPS HR-EPDM 60 ZW.	98 0306	45.000.11.25
1	1	EXCENTRISCHE ADAPTER 70/110 PP R9016	07 2493	-



DESCRIPTION: **EXCENTRISCHE ADAPTER 70/110 PP**

REMARK: **DEFINITIVE**

<p>M&amp;G GROUP ALL RIGHTS RESULTING FROM THIS DESIGN, ARE RESERVED TO THE M&amp;G GROUP.</p>	DRAWN	jwo	Units in mm. Tolerances:(unless otherwise specified) Holes: ± 0.1, Angle: ±1°, Other: ± 1.0	TOOL.NR.	-	MATERIAL	PP
	DATE	21/12/2007		SCALE	1:1.5	SPEC. NR.	
	PROJ. NR.	9480		SHEETSIZE	A3	DRAW.NR.	<b>07 2951 0</b>
	CHECKED	<b>JRS</b>		SHEET NR.	1 / 1	ART.NR.	<b>41.008.29.72</b>

REV.NR.	REVISION DESCRIPTION	BY	PROJ. NR.	DATE
02	WL corrected	J. Wolfram	13764	14/07/2015
01	Changed description	J. Wolfram	13764	07/02/2014
00	First Release	J. Wolfram		11/07/2013



DESCRIPTION	<b>WALL TERMINAL-PLUS PP 60/100</b>				<b>DEFINITIVE</b>		
REMARK							
 <small>ALL RIGHTS RESULTING FROM THIS DESIGN, ARE RESERVED TO THE M&amp;G GROUP.</small>	DRAWN	J. Wolfram	<small>Units in mm. Tolerances:(unless otherwise specified) Holes: <math>\pm 0.1</math> Angles: <math>\pm 1^\circ</math> Other: <math>\pm 1</math></small> 	TOOL.NR.		MATERIAL	PP/GALV.
	DATE	27/03/2013		SCALE	1:2.5	SPEC. NR.	
	PROJ. NR.	P-13764		SHEETSIZE	A3	DRAW.NR.	<b>13 01745 02</b>
	CHECKED	H. Meijer		SHEET NR.	1 / 1	ART.NR.	